

# What is an ATV?



Age 6 and older  
under 70 cc



Age 12 and older  
70 cc- 90 cc



Age 16 and older  
over 90 cc

An all-terrain vehicle is any motorized off-highway vehicle designed to travel on four low-pressure tires, having a seat designed to be straddled by the operator and handlebars for steering control. Single rider ATV's are intended for use by a single operator and no passenger. Two-up ATV's are designed for an operator and one passenger.



www.atvsafety.org

## THE ATV SAFETY INSTITUTE'S GOLDEN RULES

Always wear a helmet and other protective gear.

Never ride on public roads – another vehicle could hit you.

Never ride under the influence of alcohol or other drugs.

Never carry a passenger on a single-rider vehicle.

Ride an ATV that's right for your age.

The guidelines are:  
Age 6 and older Under 70cc  
Age 12 and older 70cc - 90cc  
Age 16 and older Over 90cc

Supervise riders younger than 16; ATVs are not toys.

Ride only on designated trails and at a safe speed.

Take an ATV *RiderCourse*;  
to enroll call toll-free 800.887.2887  
or visit [www.atvsafety.org](http://www.atvsafety.org)

## About the ASI *RiderCourse*

The hands-on, half-day *ATV RiderCourse* is conducted by licensed ATV Safety Institute Instructors. The course offers students an opportunity to increase their safety knowledge and to practice basic riding skills in a controlled environment under the direct supervision of a licensed Instructor.

Taking an *ATV RiderCourse*:

- Improves riding skills
- Builds confidence
- Gets kids started right
- Is a great way to meet other riders
- Teaches how to Tread Lightly!

To enroll call toll-free 800.887.2887  
or visit to [www.atvsafety.org](http://www.atvsafety.org)

# Fun ATV Puzzles

Here are some activities that you can use to help learn about ATV parts and controls.

## ATV Crossword Puzzle

### Across

1. What is this puzzle all about?
2. A piece of safety equipment for the head that is always worn when riding
3. Protective gear for your hands
4. Where you should always ride your ATV
5. Initials for an All-Terrain Vehicle

### Down

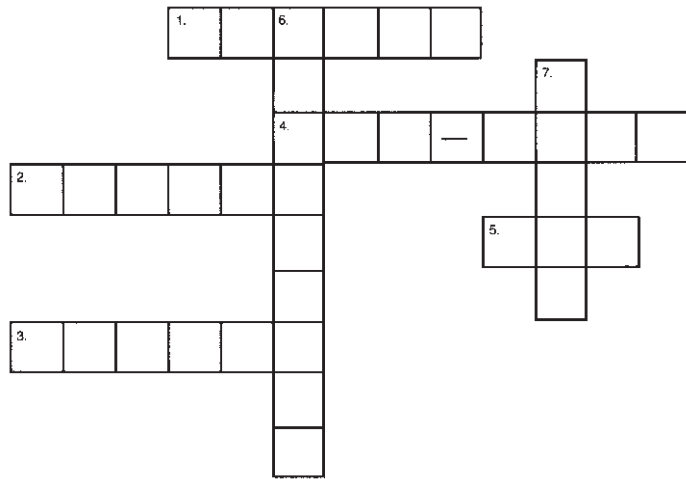
6. The place where you always keep your feet when riding an ATV
7. Protective gear for your feet and ankles

Some of the words needed are listed below:

**ATV  
GLOVES  
BOOTS**

**OFF-ROAD  
FOOTRESTS  
SAFETY**

**HELMET  
ENGINE  
CHOKE**



Crossword Answers: 1) Safety, 2) Helmet, 3) Gloves, 4) Off-Road, 5) ATV, 6) Footrests, 7) Boots

## Name the ATV Parts

Match the number of the ATV part or control to the correct letter on the diagrams shown.

**1. Parking Brake**

**2. Hand Brake Lever(s)**

**3. Foot Brake Pedal**

**4. Throttle**

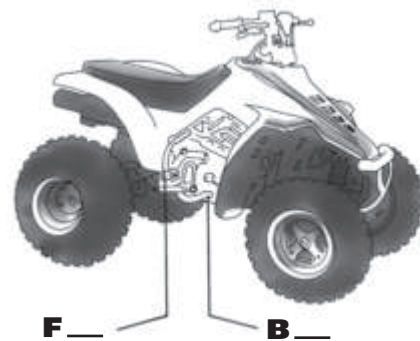
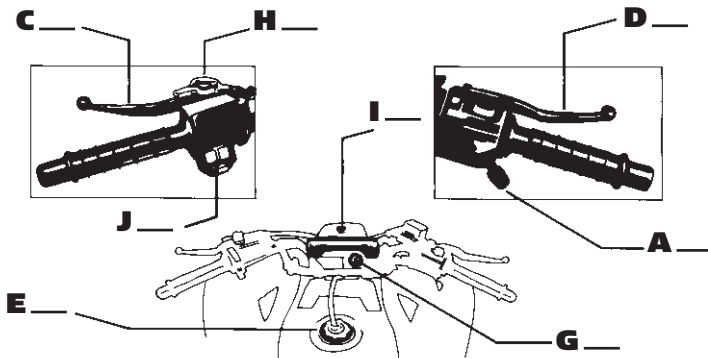
**5. Ignition Switch**

**6. Choke (primer)**

**7. Engine Stop Switch**

**8. Gas Cap/Tank Vent**

**9. Starter (pull, kick, electric)**



Name the ATV Parts Answers: A) 4, B) 3, C) 2, D) 2, E) 8, F) 9, G) 5, H) 1, I) 6, J) 7